

StoreWall™ Installation Guide

- **One person installation**
- **Installs over wood/metal studs, drywall, concrete block etc.**
- **Waterproof, insect-proof and rot-proof**
- **Ideal for high abuse applications**
(ie. garage, carports, pools, storage sheds, basements)
- **Cleans quickly and easily**

Before you begin, remember to always work safely, follow tool manufacturer's safety instructions and wear safety glasses.

Installation using mounting strips

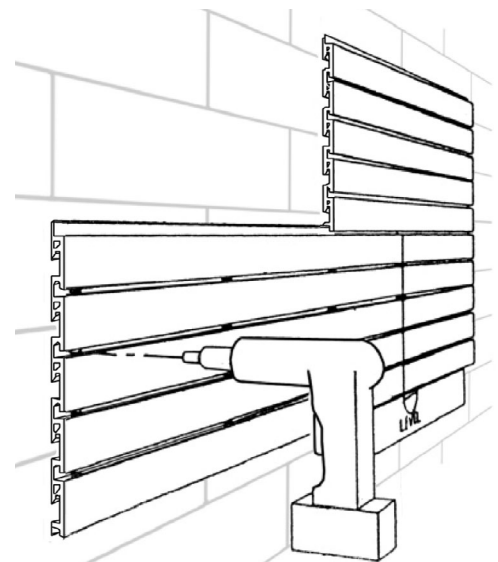
1. Make a level line at the TOP of the desired StoreWall™ location
2. The top of the mounting strip should begin at the level line
3. Mounting strips can be separated into 15" and 30" sections by snapping on the desired break point.
4. Mount the strips on each wall stud (begin with top fastener hole). The mounting strip is designed to work with many fastener types, choose the one that best fits your installation needs.
5. Place StoreWall™ panels on the mounting strips, starting with the bottom panel. Seat each panel on the 'Strip by pushing down on the top of the panel.



Installation using mounting strips

Installation without mounting strips

1. Draw a line at the lowest point the StoreWall™ panel is to be placed.
2. Place the first panel on this line and screw in place (make sure that the StoreWall™ panel is level and plumb).
3. Place second panel next to the first panel and screw in place.
4. Continue adding panels until the first row is complete.
5. Begin second row panels on top of first row and screw panels in place.



Installation without mounting strips

Quick Tips - Dry Wall Installation

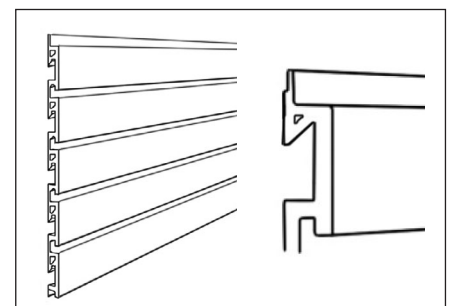
If installing over a dry wall, use 3.5 x 42mm (or longer) bugle head dry wall screws. There is no need to pre-drill or countersink.

Quick Tips - Brick / Block Wall Installation

If installing over brick or block wall, use 6mm masonry drill bit. Use 8 x 2" countersink screws and red rawlplugs (or longer). There is no need to countersink. For maximum load capacity, fix every slot every 16" (406mm).

Quick Tricks

- Join panel ends over studs to maximise load capacity.
- Use a running bond (bricklayer) pattern for best strength and to reduce appearance of joins.
- Use colour matched U-Cap, L Corner and Flat Strips as edge trims.
- Remove minor surface scratches or blemishes with a paper towel dampened with acetone (read label and follow instructions).
- Use standard woodworking tools, cuts easily and cleanly.



Make certain panels are correct way up



reddot design award
winner

For technical support for, contact
us on the numbers shown between
9.00am-5.30pm Monday-Thursday,
9.00am-4.00pm Friday.

Dura Limited
St James Road
Brackley
Northamptonshire
NN13 7XY
United Kingdom

info@dura.co.uk

Residential Garages
www.duragarages.com
tel +44 (0) 1280 700563
fax +44 (0) 1280 700444
Commercial Workshops
www.dura.co.uk
tel +44 (0) 1280 706050
fax +44 (0) 1280 700444